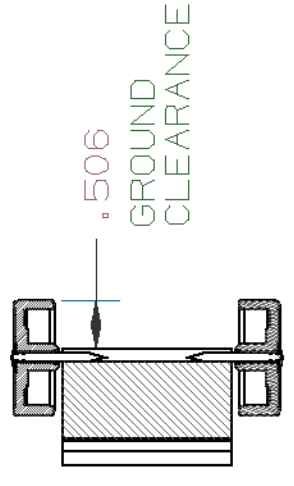
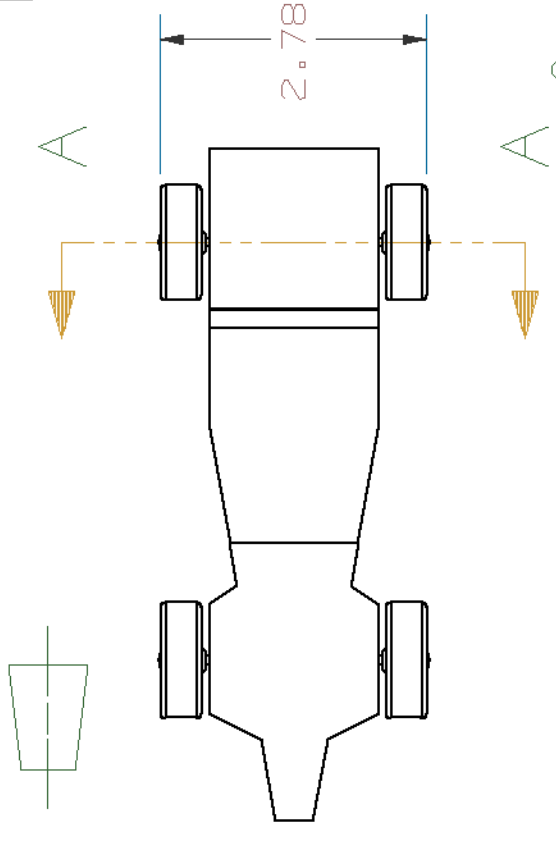


BoysDad.com IS NOT AN OFFICIAL PUBLICATION OF BOY SCOUTS OF AMERICA. THIS PRODUCT IS NOT ENDORSED OR SPONSORED BY BOY SCOUTS OF AMERICA. Pinewood Derby, and BSA ARE REGISTERED TRADEMARKS OF BOY SCOUTS OF AMERICA.

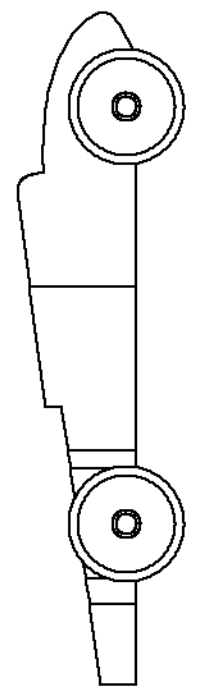


SECTION A - A

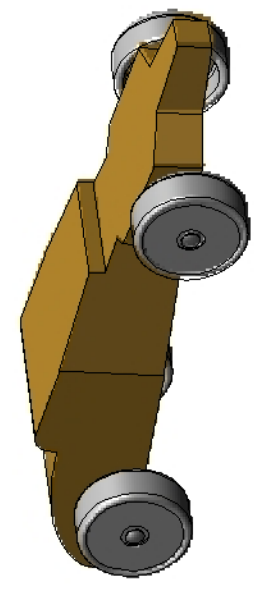
Car mass properties BEFORE ADDING WEIGHTS
Weight data was calculated

Accuracy used	=	0.99000000000	
Assembled Density	=	0.01677431087	lbs/in ³
Mass	=	0.16651572191	lbs
	=	2.66425	oz

Center of Mass (from front of car)	=	4.03914900489
Xcbar	=	0.87498708591
Ycbar	=	0.37064079128
Zcbar	=	



(c) Copyright 2009, BoysDad.com



ENGINEERED PINEWOOD DERBY PLANS SCOUTING SUPPLIES www.BoysDad.com		TITLE	
FIRST ISSUED		CAR DESIGN: HOTROD DIMENSIONS AND MASS PROPS.	
DRAWN BY		SIZE/DWG NO.	
CHECKED BY		A	HOTROD.PDF
APPROVED BY		REV.	
		A	
SCALE 1:2		SHEET 1 OF 2	

ALL DIMENSIONS IN INCHES
3D CAD MASTER PART NAME: unmodassy