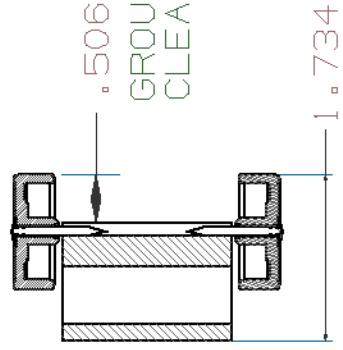
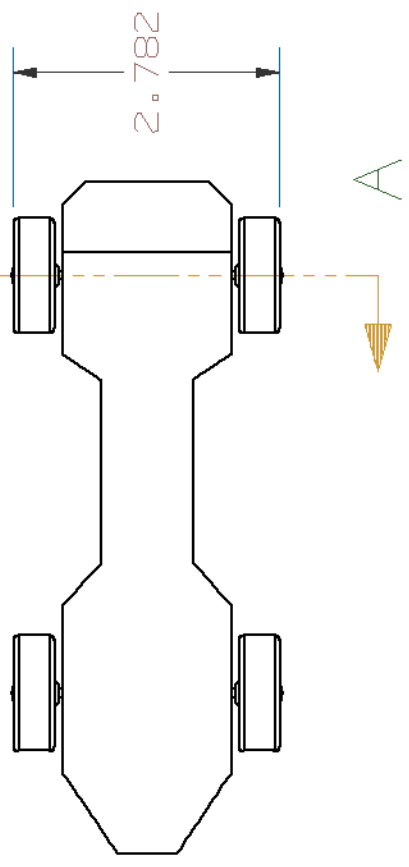


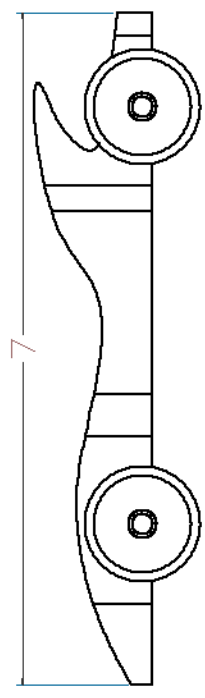
BoysDad.com IS NOT AN OFFICIAL PUBLICATION OF BOY SCOUTS OF AMERICA.
 THIS PRODUCT IS NOT ENDORSED OR SPONSORED BY BOY SCOUTS OF AMERICA.
 Pinewood Derby®, and BSA® ARE REGISTERED TRADEMARKS OF BOY SCOUTS OF AMERICA.

SECTION A - A



Car mass properties BEFORE ADDING WEIGHTS

Density	=	0.01758155418	lbs/in ³
Volume	=	7.80042559296	in ³
Mass	=	0.13714360520	lbs
	=	2.194288	Ounces
Center of Mass			
Xcbar	=	3.68596542622	
Ycbar	=	0.87499458819	
Zcbar	=	0.30183141357	



NOTE: A VERY THIN SAW BLADE IS REQUIRED TO CUT THIS CAR PROFILE.

(c) Copyright 2009, BoysDad.com



ENGINEERED PINWOOD DERBY PLANS SCOUTING SUPPLIES www.BoysDad.com	
FIRST ISSUED	TITLE
DRAWN BY	CAR DESIGN: FONZ
CHECKED BY	DIMENSIONS AND MASS PROPS.
APPROVED BY	SIZE DWG NO. FONZ.PDF
	REV. A
SCALE 1:2	SHEET 1 OF 2

ALL DIMENSIONS IN INCHES
 3D CAD MASTER PART NAME: unmodassy